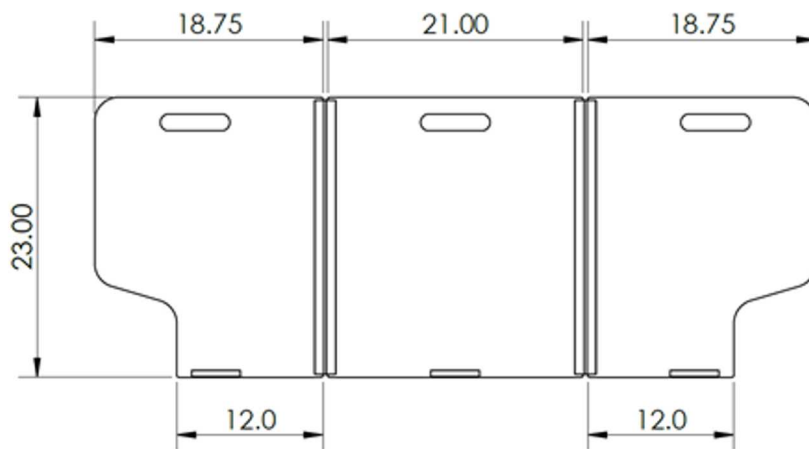




School Desk Shields

Significant discounts available for orders placed by June 30, 2021



Additional Information:

- Manufactured with 1.5mm PETG which is highly recyclable, sustainable and durable that holds up well over time to all EPA approved cleaners
- Lead time is 4-5 weeks and can ship anywhere in the US
- Ships fully assembled
- Hand cutouts make it easy to carry and move around the space
- Weight of product is 3.4lbs
- Desk shield can fold flat for transportation and storage purposes
- Minimum order quantity is in blocks of 50 (50, 100, 150, 200 etc.)
- Meets New York State Fire Resistant Guidelines