



# SNEEZE GUARDS

*When Privacy and Protection are Important*

**SWIFTSPACE**

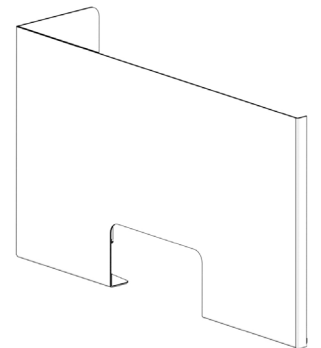
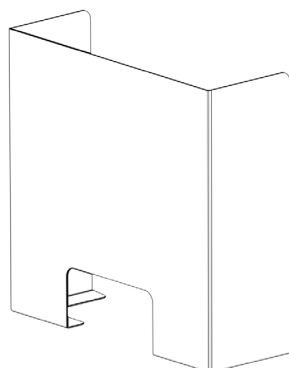
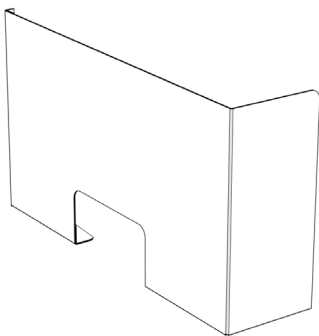
[www.swiftspaceinc.com](http://www.swiftspaceinc.com)



**Features:**

- 3/8" Plexiglas
- 21" or 48" Heights
- 28" or 76" Widths
- Guards can be made smaller to any custom dimensions for no up-charge

MODEL #	PRODUCT DESCRIPTION	WIDTH (IN INCHES)	HEIGHT (IN INCHES)	LIST PRICE (IN USD)
SSSNE2128	21"H x 28"W Sneeze Guard	28"	21"	\$243
SSSNE2176	21"H x 76"W Sneeze Guard	76"	21"	\$456
SSSNE4228	42"H x 28"W Sneeze Guard	28"	42"	\$456
SSSNE4276	42"H x 76"W Sneeze Guard	76"	42"	\$912



For more information about our products or to schedule a demo visit [www.swiftspaceinc.com](http://www.swiftspaceinc.com)

